

6

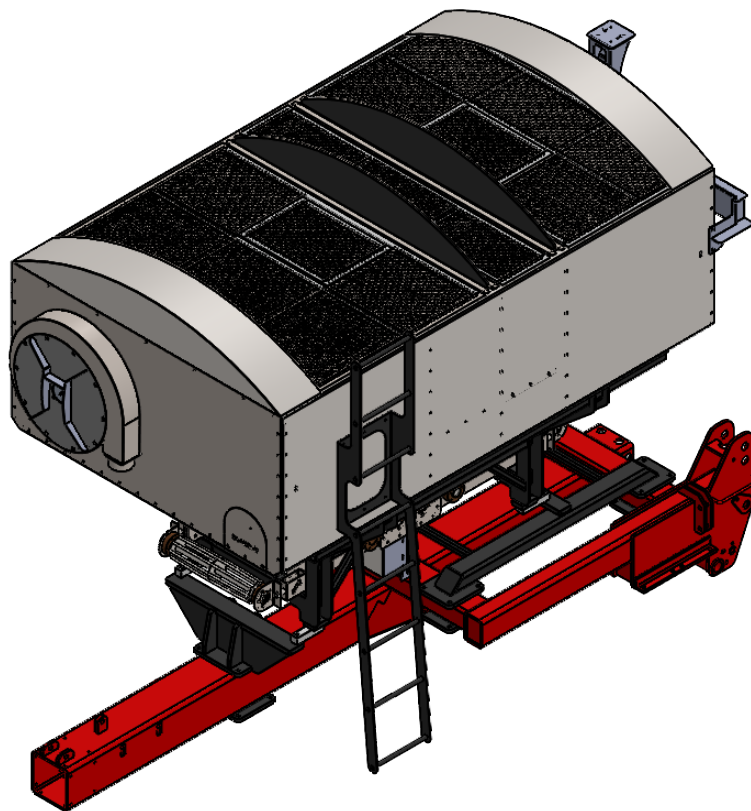
5

4

3

2

1



UNLESS OTHERWISE SPECIFIED:
DIMENSIONS ARE IN INCHES

DO NOT SCALE DRAWING

Material:

Enter Material

Thickness:

Quantity

1

PART NO.

Wilrich Subframe Mount

Configuration

Default

	NAME	SIGNATURE	DATE
DRAWN			7/19/2021
CHK'D			
APPV'D			
MFG			

TITLE:



LYNX AG, LLC
510 H Avenue
Churdan, IA 50050

Weight:

5868.04 Pounds

WEIGHT: 5868.04

DWG NO.

Wilrich Subframe Mount

REVISION

A

SCALE:1:45

SHEET 1 OF 2

6

5

4

3

2

1

D

D

C

C

B

B

A

A

6

5

4

3

2

1

D

D

C

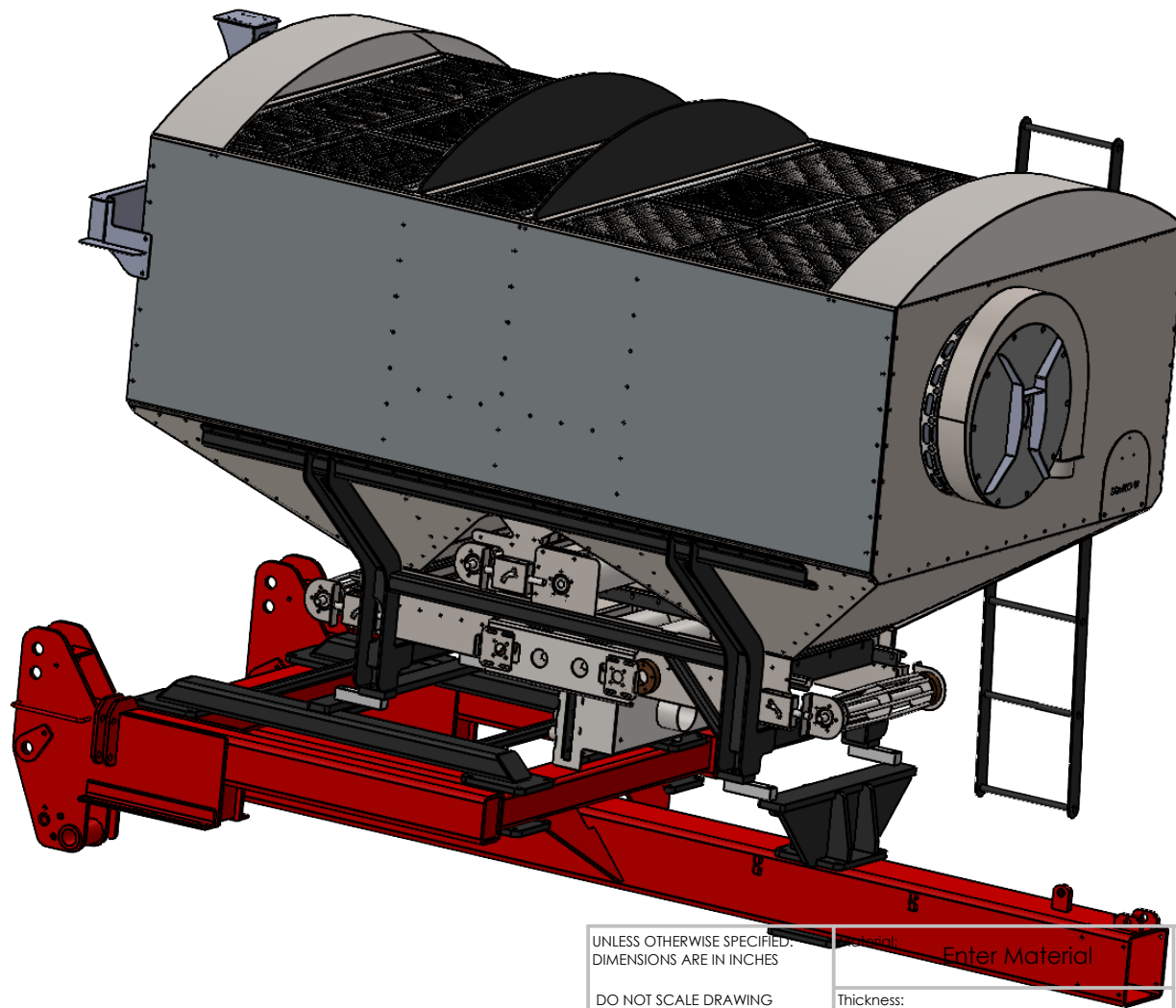
C

B

B

A

A



UNLESS OTHERWISE SPECIFIED,
DIMENSIONS ARE IN INCHES

DO NOT SCALE DRAWING

Material: Enter Material

Thickness:


Quantity
1

PART NO. Wilrich Subframe Mount

Configuration Default

	NAME	SIGNATURE	DATE
DRAWN			7/19/2021
CHK'D			
APP'VD			
MFG			

TITLE:



LYNX AG, LLC
510 H Avenue
Churdan, IA 50050

Weight:
5868.04 Pounds

WEIGHT: 5868.04

DWG NO. Wilrich Subframe Mount

REVISION

SCALE: 1:30

SHEET 2 OF 2

6

5

4

3

2

1